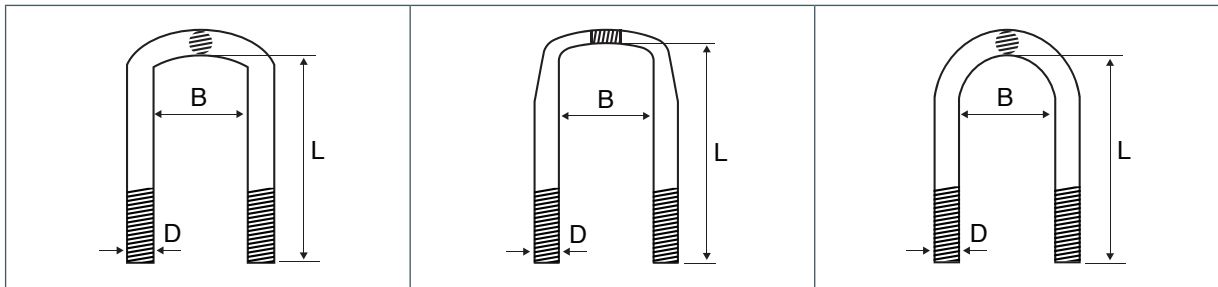


U/Bolts

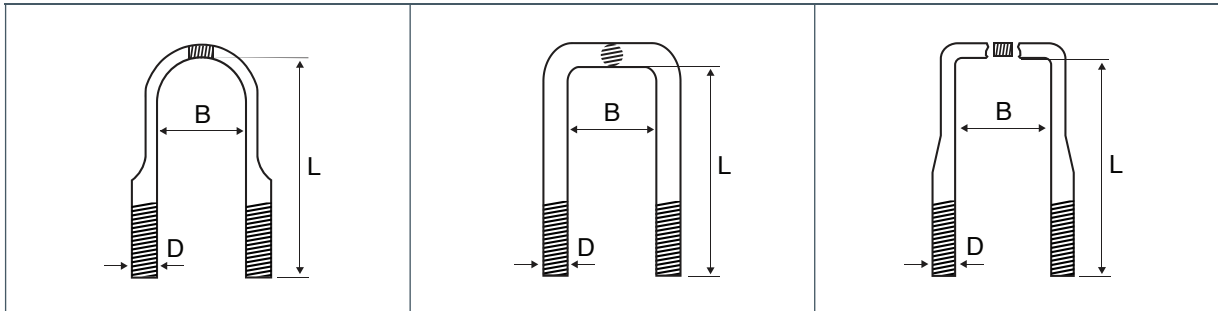
Reference Chart



Form 0

Form 1

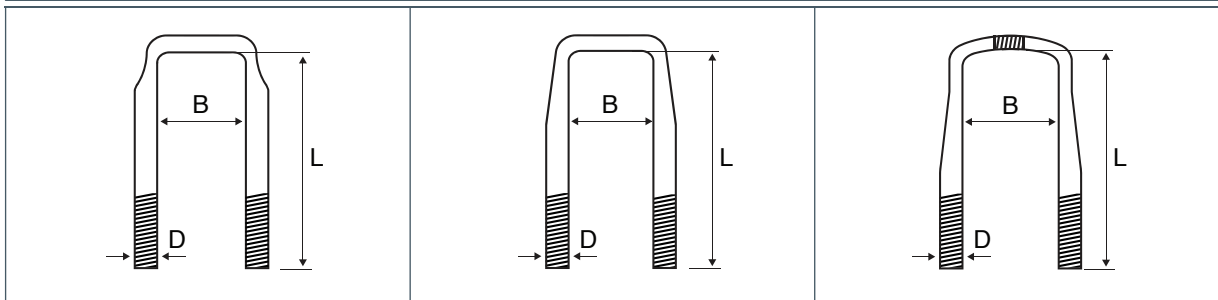
Form 2



Form 3

Form 4

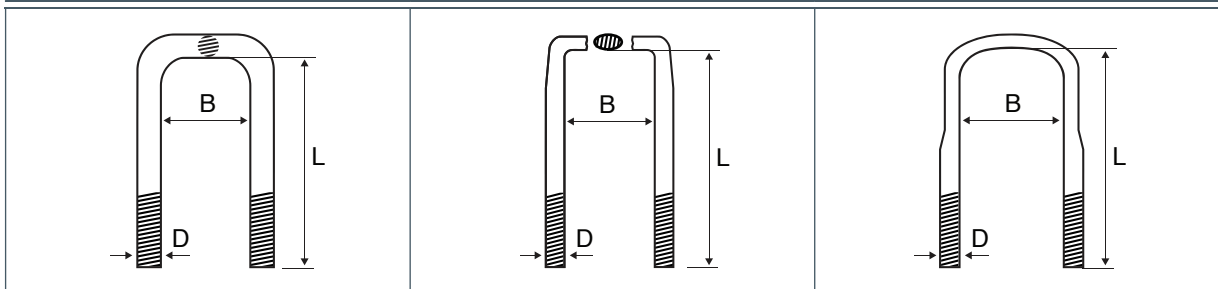
Form 5



Form 6

Form 8

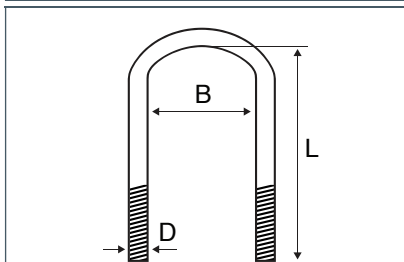
Form 9



Form 10

Form 12

Form 13



Form 14

U/Bolts can be made to order - given the specifications listed
 L - Inside length
 B - Inside width
 D - Thread diameter
 - Form of U/Bolt top